



Thin Gauge Drum

New bead type drum

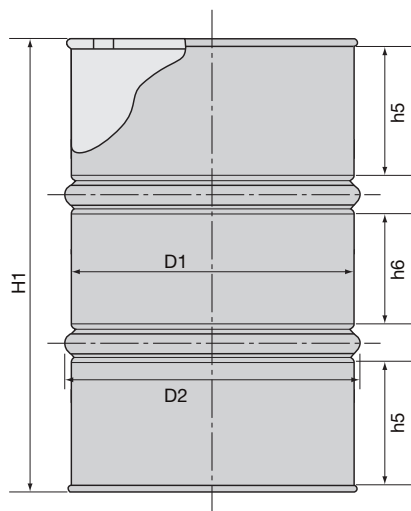
Light weight drum with waves on body secures similar strength against decompression to conventional type.

➔ Major Application

Suitable for export, one way use.
(Approved to UN X-class)

LMD

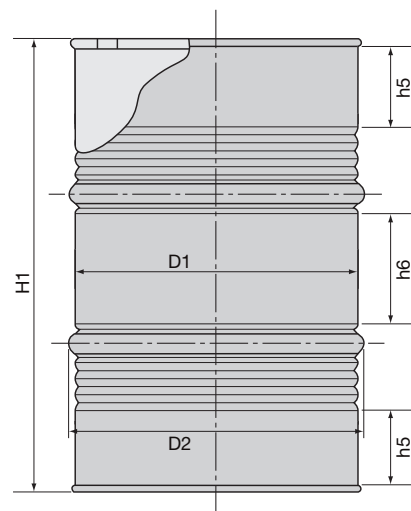
(Top end & Bottom end 1.2mm / Body 1.0mm)



W-hoops

SL

(Top end & Bottom end 1.0mm / Body 0.9mm)



W-hoops + Corrugation

| Class | Gauge [mm] Body / Top end & Bottom end | Internal diameter [mm] | External diameter over rolling hoops [mm] | | Total drum height [mm] | Total Capacity [L] | Mass [kg] (min.) |
|-------|---|------------------------------|--|-----------|------------------------------|--------------------------|------------------------|
| | | | D1 | D2 | | | |
| LMD | 1.0 / 1.2 | 566 ±2 | 585 (max.) | 890 ±5 | 212 (min.) | 18.0 | |
| SL | 0.9 / 1.0 | | | | | 15.9 | |

Reference data

| [mm] | |
|-------|-------|
| h5 | h6 |
| 247±2 | 220±2 |
| 165±3 | 220±2 |